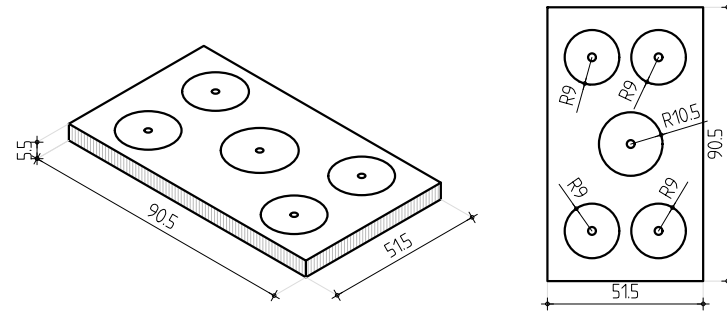
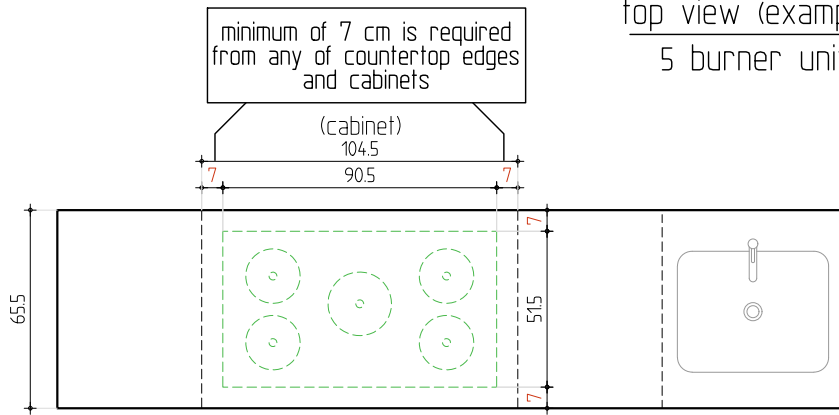
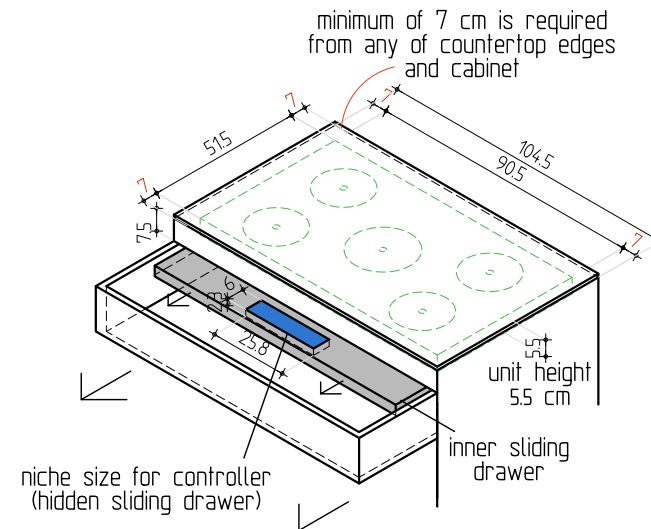
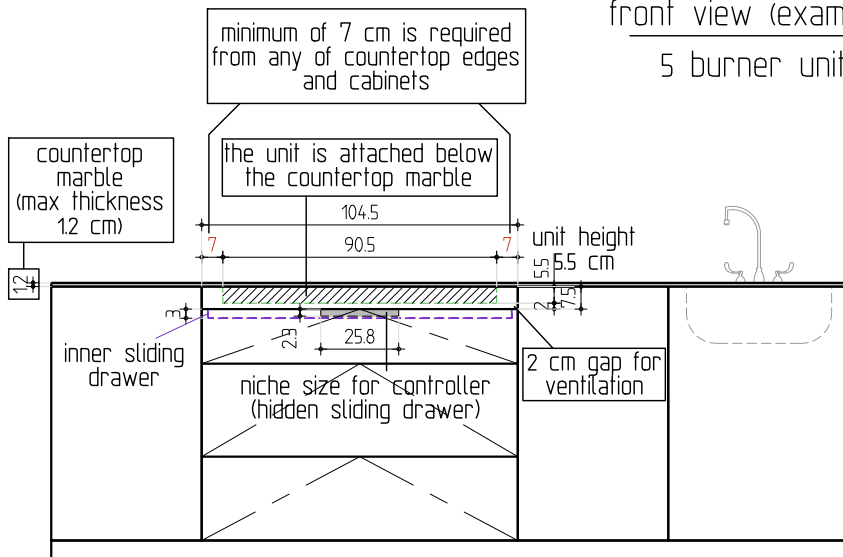


# Invisacook 5 burner unit

top view (example)  
5 burner unit

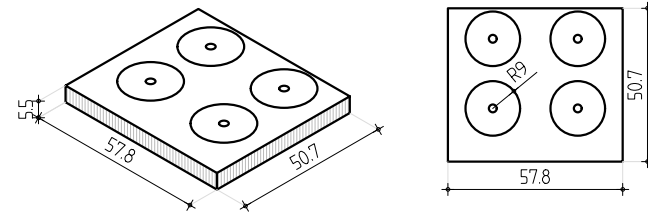
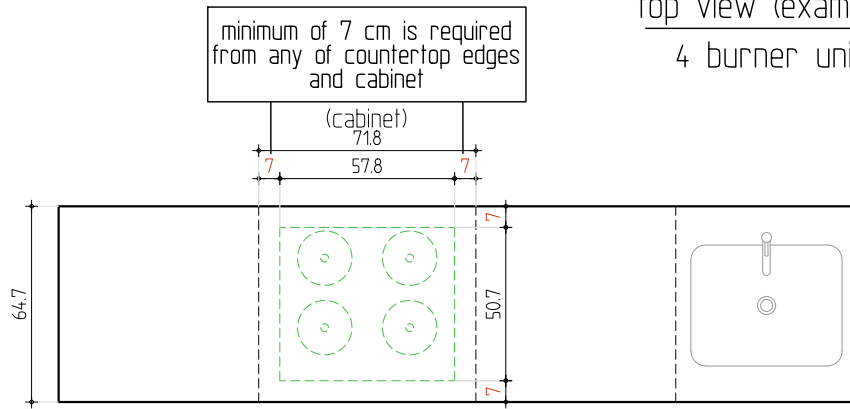


front view (example)  
5 burner unit

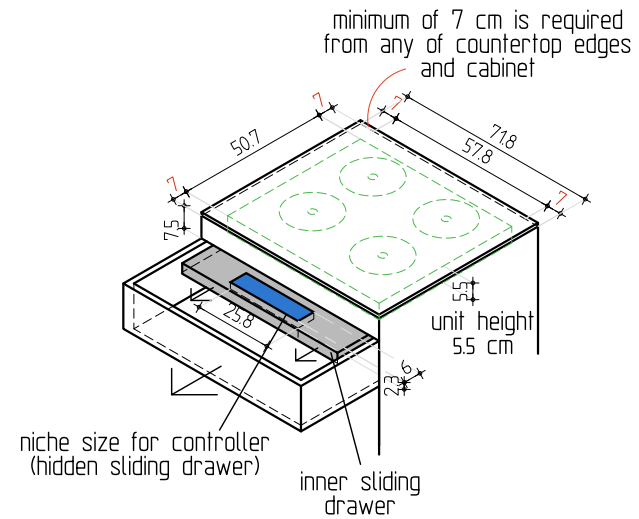
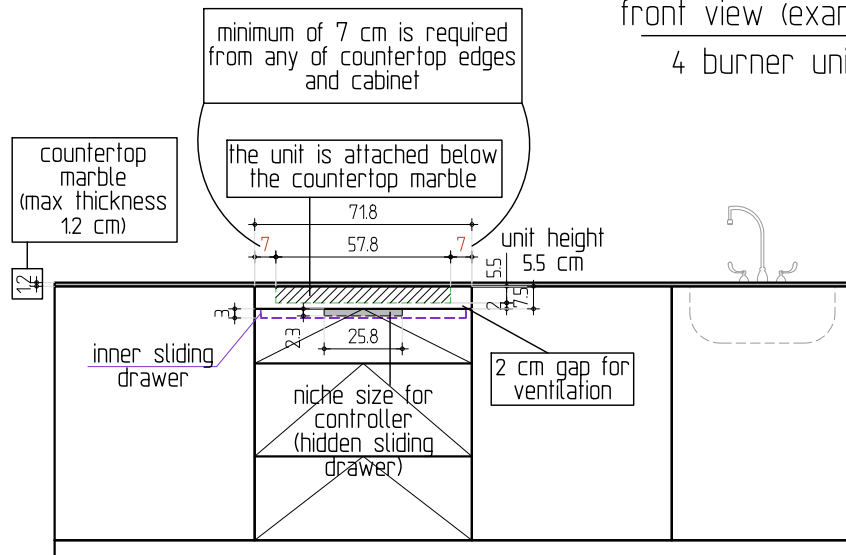


# Invisacook 4 burner unit

top view (example)  
4 burner unit

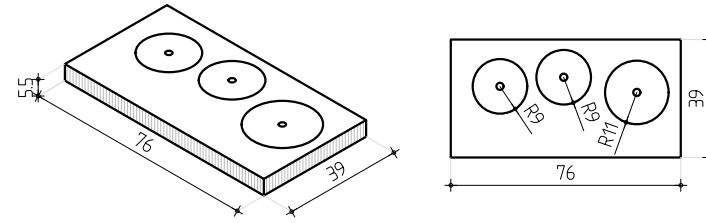
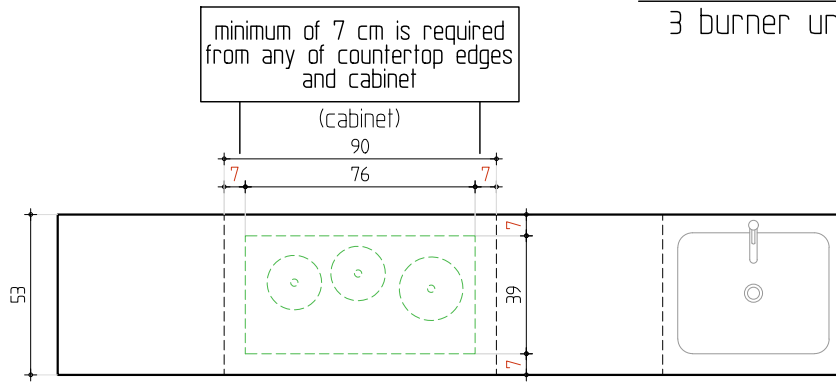


front view (example)  
4 burner unit

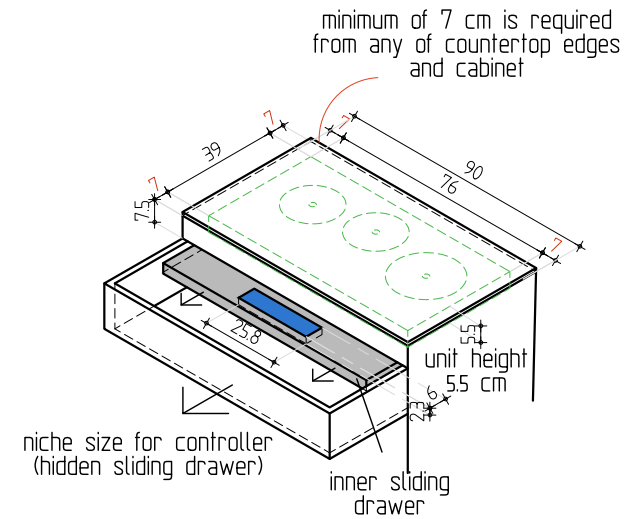
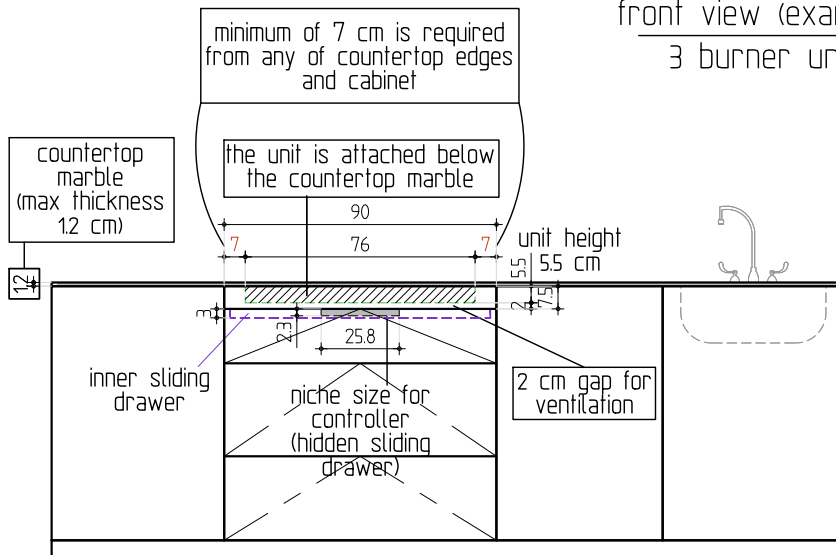


# Invisacook 3 burner unit

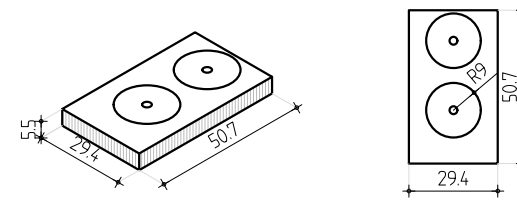
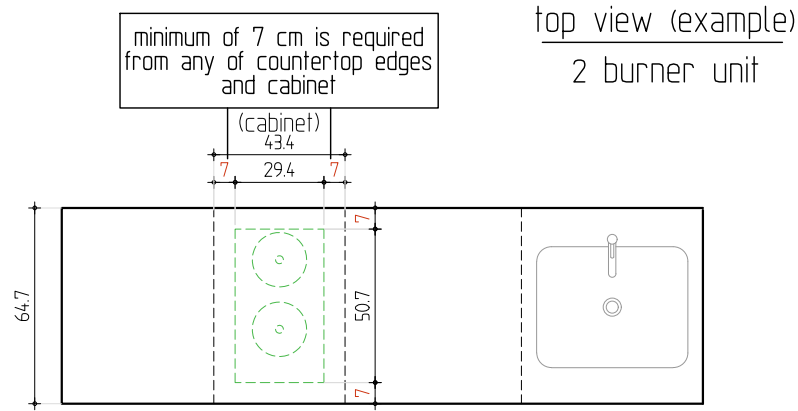
top view (example)  
3 burner unit



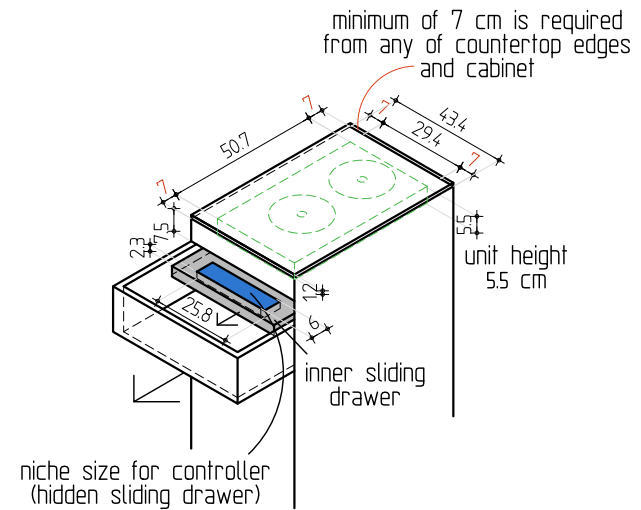
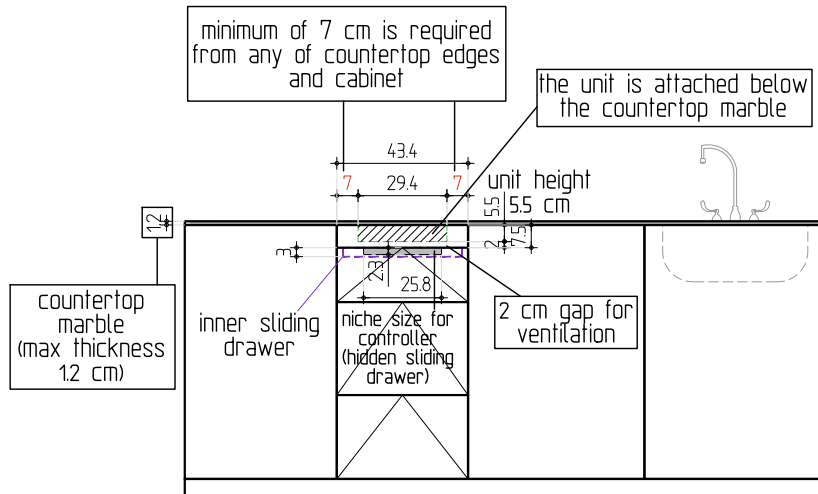
front view (example)  
3 burner unit



# Invisacook 2 burner unit



front view (example)  
2 burner unit

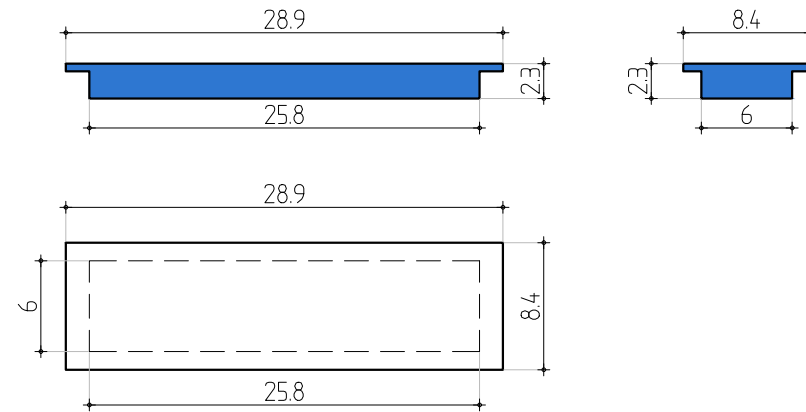


# controller installation

controller inside hidden sliding drawer



controller size  
scale 1:5



2 cm for ventilation

countertop marble

cooktop

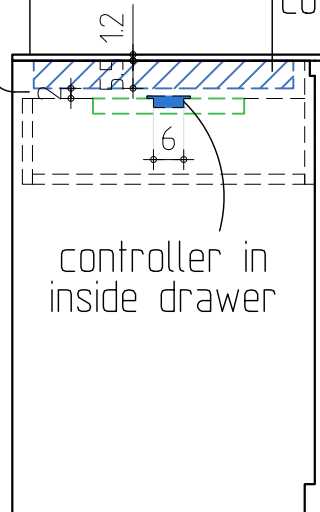
cooktop

controller

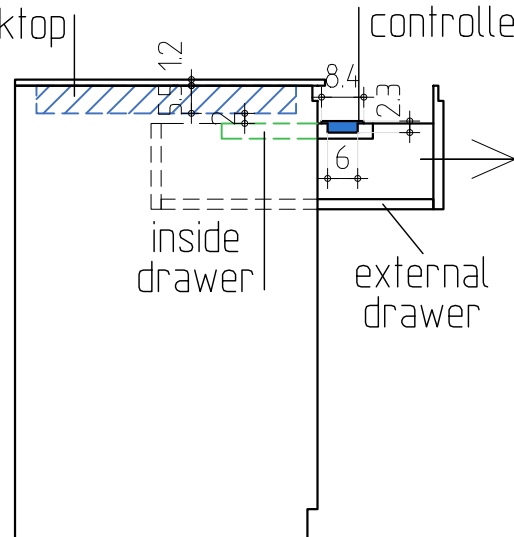
inside drawer

cooktop

recommended  
drawer height  
at least 2.5 cm

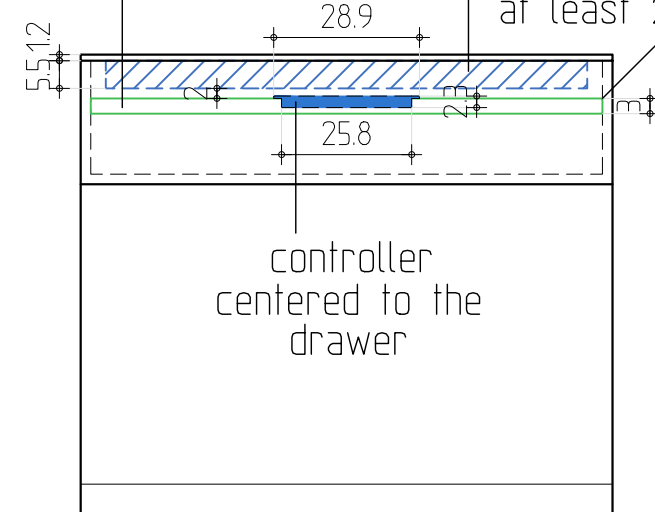


controller in  
inside drawer



inside  
drawer

external  
drawer



controller  
centered to the  
drawer